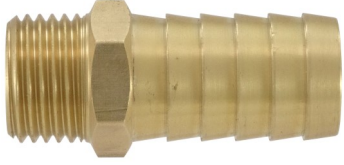
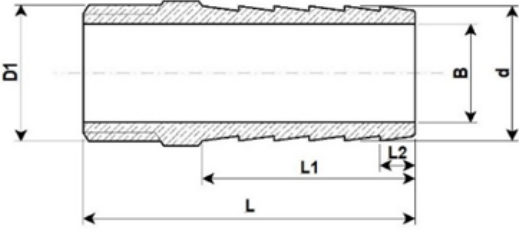


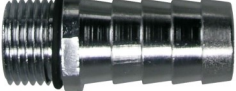
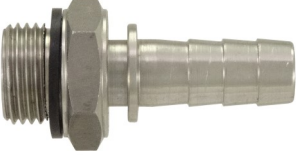
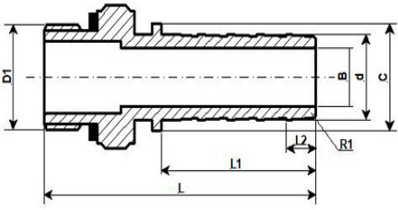


Hose tails

Brass						
						
Article no.	d (mm)	D1 (BSP)	B (mm)	L (mm)	L1 (mm)	L2 (mm)
MESS013	14	1/2"	10	48	30	5
MESS019	20,4	1/2"	15	48	30	5
MESS019-3/4T	20,4	3/4" (BSPT)	15	61	38	5,4
MESS025	25	1/2"	19,8	58	37	3

Chrome plated brass with EPDM O-ring		
Picture	Article no.	Description
	MESC013	13mm x 1/2" BSP male
	MESC016	16mm x 1/2" BSP male
	MESC019	19mm x 1/2" BSP male

Stainless steel (AISI 316) with VITON flat seal							
							
Article no.	d (mm)	D1 (BSP)	B (mm)	C (mm)	L (mm)	L1 (mm)	L2 (mm)
RVST013-C17	13,6	1/2"	9	17	58,5	31	6,7
RVST013-C17-SP*	13,6	1/2"	9	17	58,5	31	6,7
RVST013-C20	13,6	1/2"	9	20	58,5	31	6,7
RVST013-C20-SP*	13,6	1/2"	9	20	58,5	31	6,7
RVST016-C21	16,8	1/2"	11,5	21	62,2	35	6,8
RVST016-C21-SP*	16,8	1/2"	11,5	21	62,2	35	6,8
RVST019-C24	19,8	1/2"	14	24	66,3	39	6,8
RVST019-C24-SP*	19,8	1/2"	14	24	66,3	39	6,8
RVST025	25,1	1/2"	14	-	58,3	38	3

Hose tails marked with an * are equipped with a long anti-kink spring. This spring ensures that the hose does not kink at the end and also promotes the life of the hose. See swivel hose tails for explanation.