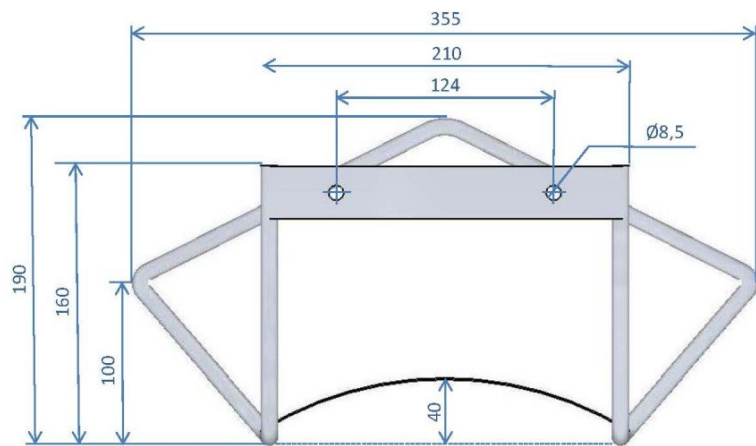
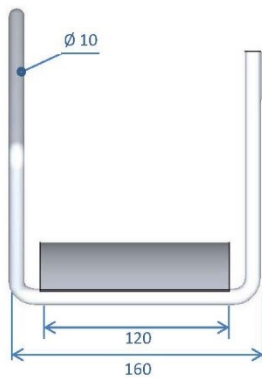


# Hose racks from stainless steel (304)

Increase the life of hoses with a hose rack. Dimensions for the standard hose racks can be found below. Other dimensions are available on request.

**Article no.**

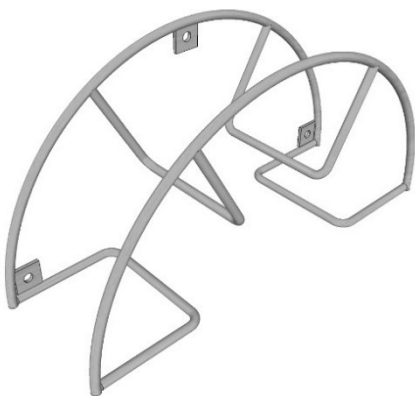
**REKFR30:** Stainless steel (304) hose rack for 25m 1/2" hose or 20m 3/4" hose, electropolished.



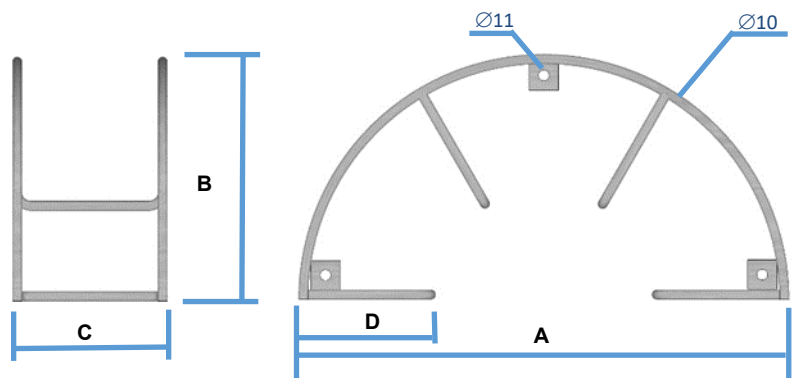
**Article no.**

**REKFR60:** Stainless steel (304) hose rack for 40m 1/2" hose or 30m 3/4" hose.

**REKFR70:** Stainless steel (304) hose rack for 60m 1/2" hose or 50m 3/4" hose.



All dimensions are in mm



Article no.	A	B	C	D
REKFR60	510	255	140	130
REKFR70	510	255	250	130