

AKV3400 STAINLESS STEEL AUTOMATIC HOSE REEL



AKV3400

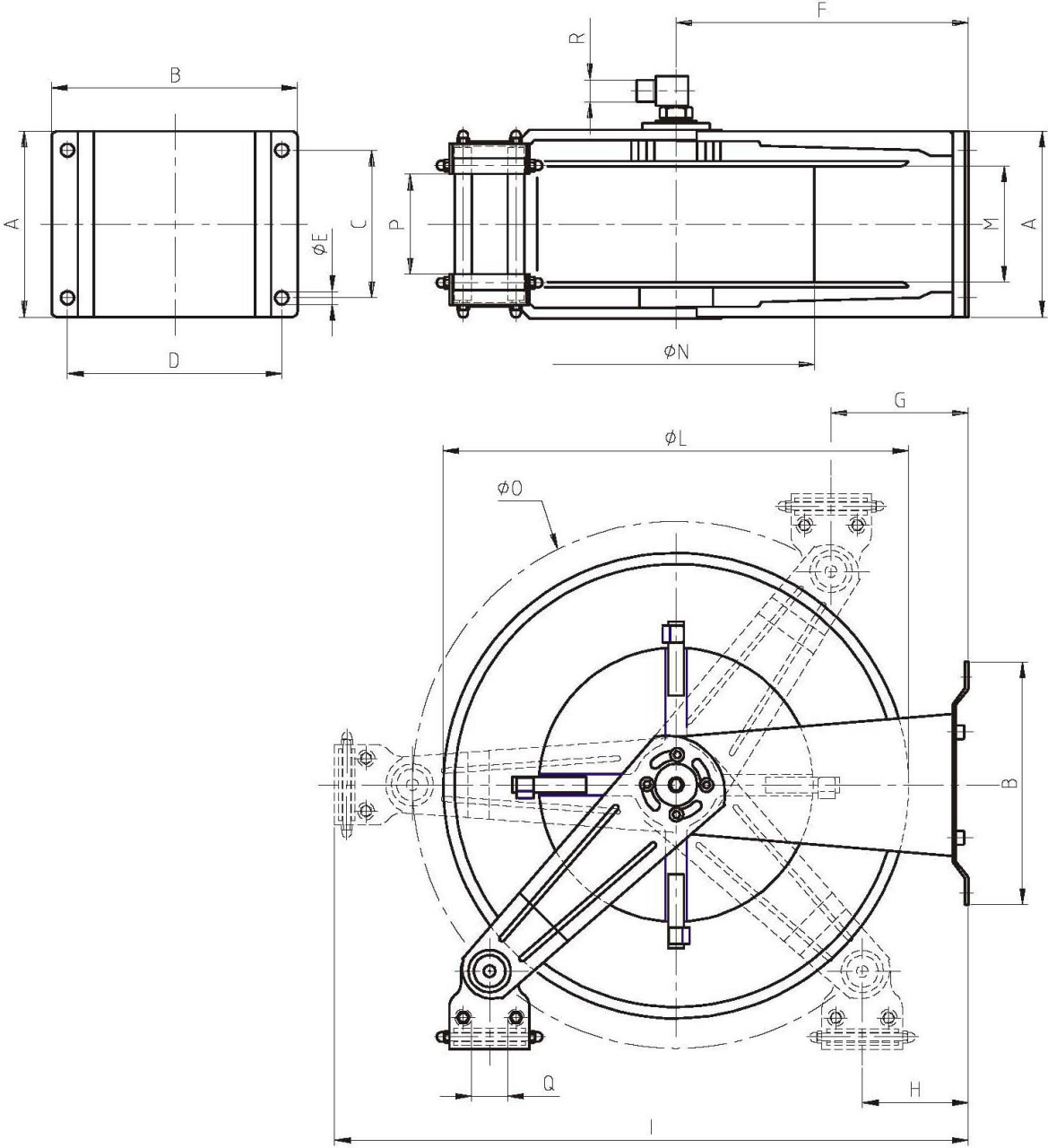


ST34

Technical data

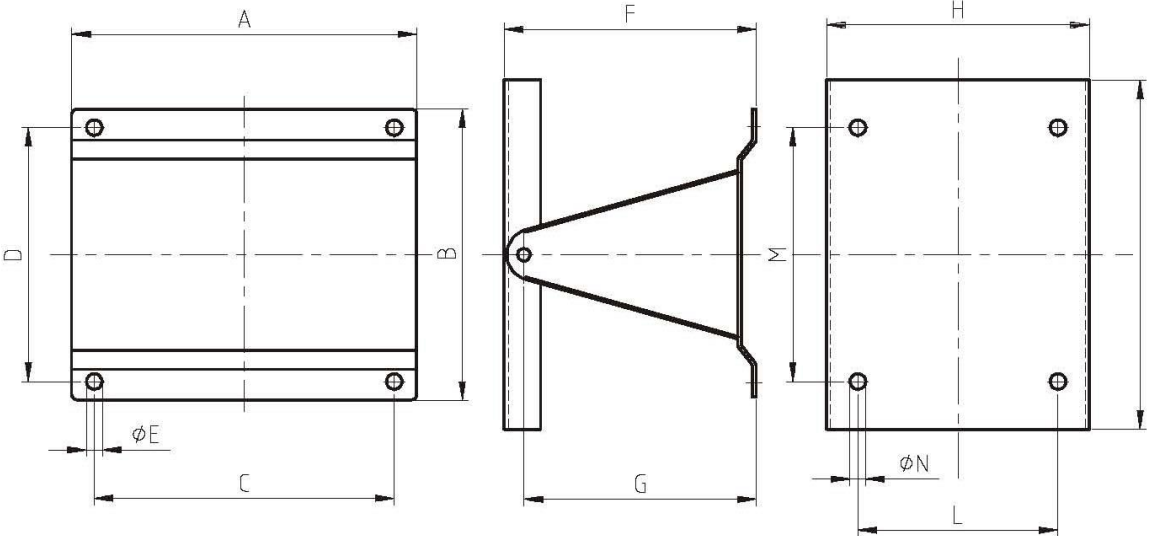
Max. working pressure	200 bar
Max. working temperature	90 °C
Connection inlet - outlet	½" male – ½" male
Bore	12mm
Max. hose Ø	½"
Max. Hose length	⅜" – 25m ½" – 25m
Weight	26 Kg
Material hose reel	AISI 304 / AISI 303
Material swivel	AISI 303 Seal: EPDM

DIMENSIONS AKV3400



Art.	A	B	C	D	E	F	G	H	I	L	M	N	O	P	Q	R
AKV3400	197	295	167	264	13	315	120	107	700	540	120	310	580	89	43	½" M

DIMENSIONS ST34



Art. Code	A	B	C	D	E	F	G	H	I	L	M	N
ST34	197	240	360	210	13	230	212	310	305	167	264	13